



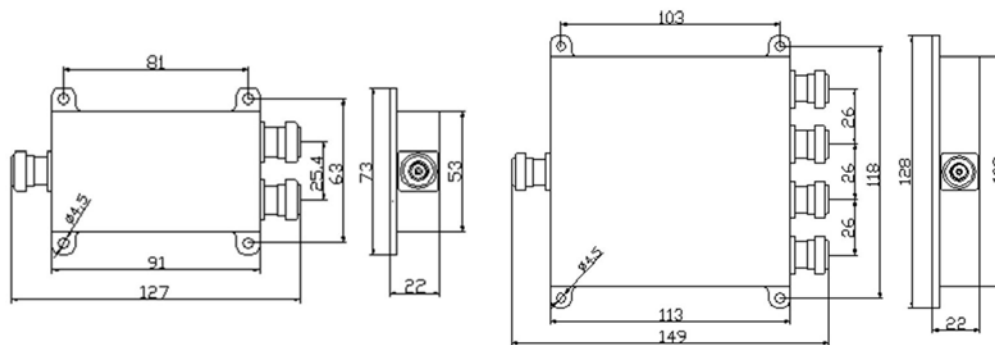
RF Divider Combiner Low PIM Splitter 698-3800MHz

PS4000 Series for GSM, 3G, 4G & 5G



The Better Connections® PS4000 Series RF signal splitters/combiners are ideal for connecting multiple devices to a single antenna or multiple antennas to a single device. Suits Mobile Phone Repeaters, M2M modems, mobile broadband routers and USB modems with external antenna ports. All wireless band frequencies in the range from 698 to 3800 MHz are covered with optimal RF performance for GSM, 3G, 4G and 5G.

Mechanical Diagram



PS4002 (2-way)

PS4004 (4-way)

All dimensions are in millimetres

Specifications:

Model	PS4002	PS4004
Configuration	2-way	4-way
Freq. Range (MHz)	698 - 3800	
VSWR	≤1.20	≤1.35
Insertion Loss (dB)	≤0.6	≤0.8
Split Loss (dB)	3	6
Isolation (dB)	≥20	
Impedance (Ω)	50	
PIM	<-153dBc@2x43dBm	
Material	Powder Coated Aluminium	
Colour	Black	
Weight (Grams)	350	810
Max. Power (Watts)	50	
Connector	N Female	
Applications	Indoor / Outdoor IP65 / RoHS Compliant	
Dimensions (mm)	127 x 73 x 22	149 x 128 x 22
Temperature Rating (C°)	-25 to +85	

Email: sales@comnet.com.au
 Website: www.comnet.com.au
 Telephone: +61 2 9899 5700

Comnet Solutions
 19/9 Hoyle Avenue
 Castle Hill NSW 2154
 Australia