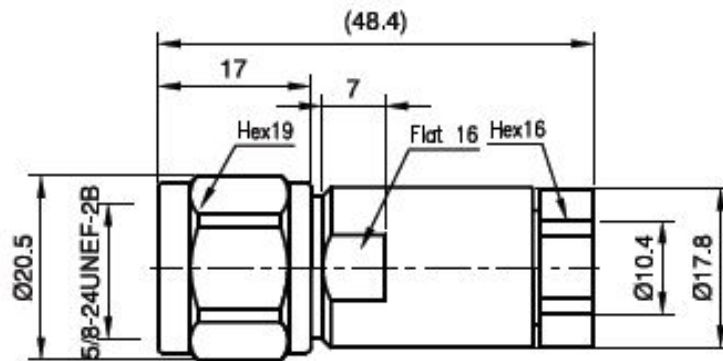


N Male Ezi Fit LMR400 Captive/Clamp Connector

CN1040



Ezi Fit Captive Pin/Clamp Connector - no soldering, no crimping



ELECTRICAL PROPERTIES

Impedance	50 ohms
Working Voltage	1000 vrms (max)
Frequency	DC to 6GHz
Insertion Loss	0.10 x $\sqrt{\text{Fghz}}$

MATERIAL & FINISH

Center Contact	Nickel Plated Bronze
Outer Contact	Nickel Plated Brass
Body	Nickel Plated Brass
Coupling Nut	Nickel Plated Brass
Dielectric	Teflon® PTFE
Gasket	Silicone Rubber
Attachment	Clamp with Hex Nut 5/8" (16mm)

RECOMMENDED & OPTIONAL TOOLS

Cutters *	Stripping Tool *	Deburring Tool *	LMR400 Preparation Tool	LMR195/240/400 Tool Kit	LMR400 Tool Kit
					
SKU: WC10 RECOMMENDED	SKU: CS2000 RECOMMENDED	SKU: CS700 RECOMMENDED	SKU: CS2400 OPTIONAL	SKU: CK2500 OPTIONAL	SKU: CK4000 OPTIONAL

Email: sales@comnet.com.au
 Website: www.comnet.com.au
 Telephone: +61 2 9899 5700

Comnet Solutions
 19/9 Hoyle Avenue
 Castle Hill NSW 2154
 Australia